



HOTEL PEZ ESPADA

MEETINGS, CONFERENCES
AND EVENTS

HOTEL PEZ ESPADA

The **Hotel Pez Espada by Medplaya** has become a hotel of reference among the 4-star superior establishments. Its location, just 10 minutes from Malaga-Costa del Sol Airport and 7 from the Torremolinos Congress Centre and right on the beachfront, is one of the greatest attractions for the business client, a place where the ideal of days spent working alternating with moments of relaxation by the sea becomes a reality.

The hotel has a total of 239 spacious and modern rooms divided into 200 superior rooms and 39 junior suites, which make each stay a unique experience.

For meetings, there are also 3 modular rooms on two floors. These are versatile rooms, all of which have natural light. The complex has areas of 20 to 500 m² off the main hall that connects the lounges and restaurants. The main convention hall can accommodate up to 300 people. We have a professional team for organizing events, a wide variety of catering options and advanced technology.







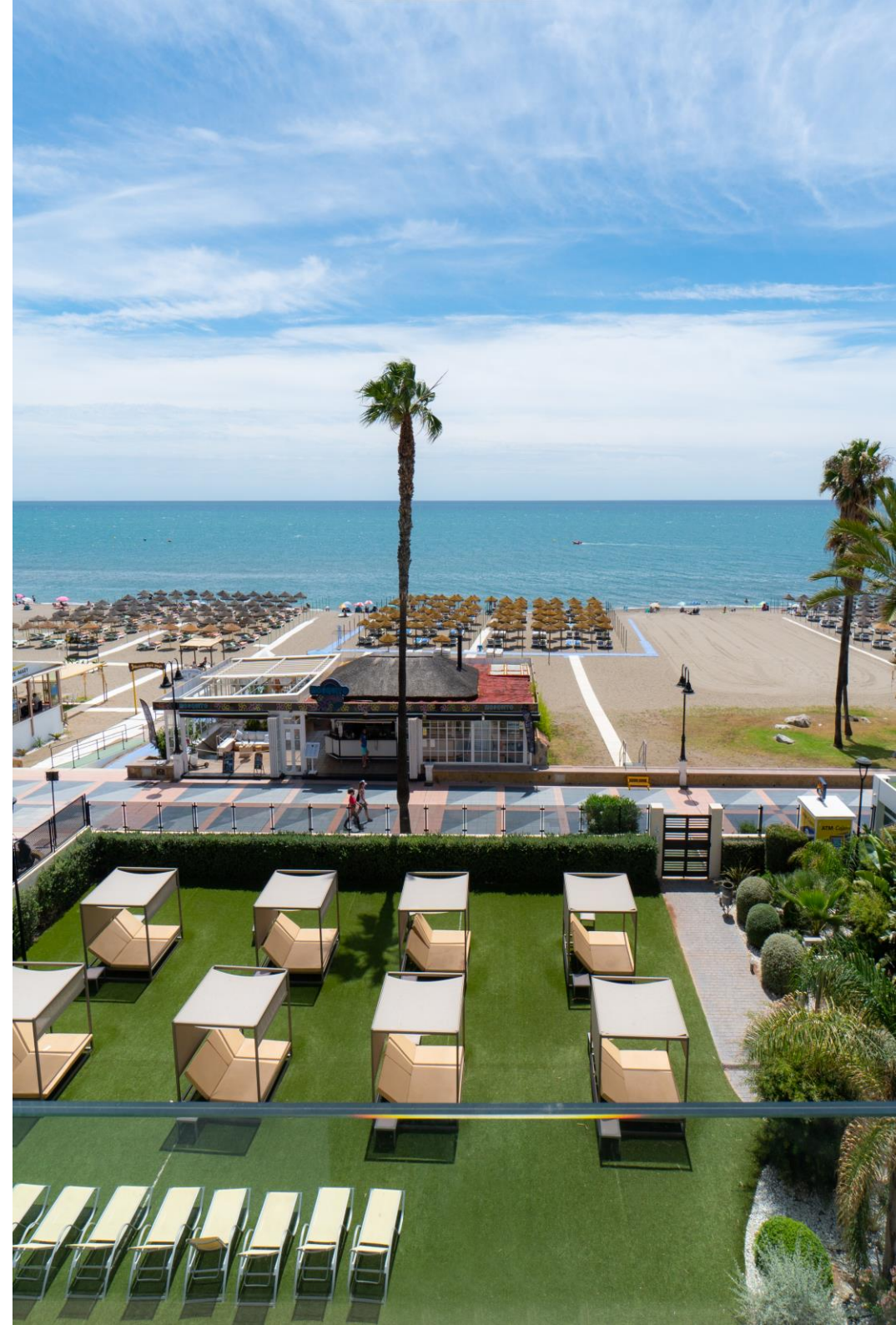
TORREMOLINOS

Torremolinos is a city overlooking the Mediterranean Sea, located in the heart of the province of Malaga and with a coastline of beaches and open environments, ideal for leisure and business trips.

Known as the gateway to the **Costa del Sol**, Torremolinos is a modern-style city that still preserves the seductive charms of Andalusian traditions. Here visitors enjoy more than 300 days of sunshine a year, pleasant temperatures (an average of 19°C/66°F) and 7 km of beaches along the resplendent Mediterranean coast.

The beaches of Torremolinos are endless. Wide, with wonderful, warm sand that you'll long to sink your feet into; with a calm sea, always at the perfect temperature; with an oasis of palm trees in each section; and the Q for quality distinction that guarantees their excellence.

The possibilities that Torremolinos offers are innumerable: from taking a dip and enjoying the sun at almost any time of the year; to playing all kinds of sport, including golf; through to the many restaurants where you can taste its excellent cuisine.





HOTEL PEZ ESPADA

IMAGINE YOUR EVENT



CONTENTS

The spaces at the Hotel Pez Espada

- Indoor spaces
 - The Ondina Room
 - The Ondina Restaurant
 - The Ondina Observation Deck
 - The Tropical Room
 - The Montemar Room
 - The Blue Marlin Restaurant
 - Frankie's
 - Panorama Room
 - 50's Bar
- Outdoor spaces
 - The Ondina Terrace
 - Frankie's Terrace
 - Cascada



THE SPACES OF THE
HOTEL PEZ ESPADA



INDOOR SPACES

THE ONDINA ROOM

THE ONDINA OBSERVATION DECK



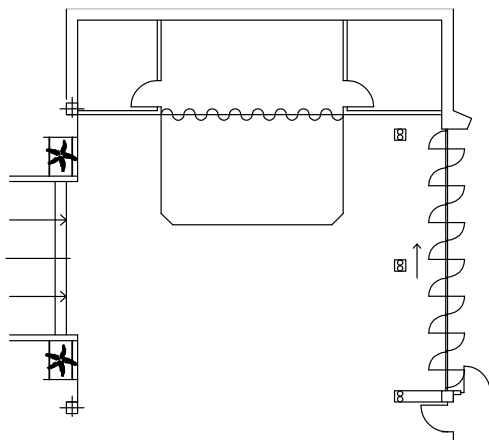
THE ONDINA RESTAURANT

INDOOR AREAS

THE ONDINA ROOM

The Ondina has a floor area of 106.4 m² with the capacity of 30 attendees in theatre format and 40 diners.

106.4m²



SALONES MEETING ROOMS		Si	Hall	40	30	21	-	-	30	40
Ondina	Si	Hall	40	30	21	-	-	30	40	



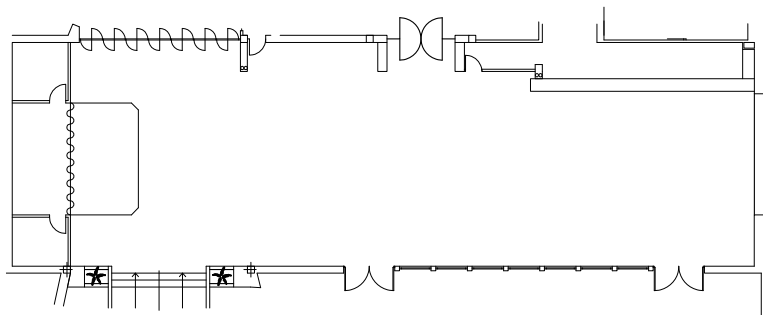
INDOOR SPACES

THE ONDINA RESTAURANT

The Ondina restaurant has a floor area of 210.9m² with the capacity for 200 diners in cocktail format.

It has large windows with natural light.

210.9m²



SALONES
MEETING ROOMS



Restaurante
Ondina

Si

Hall

-

-

-

-

-

100

200

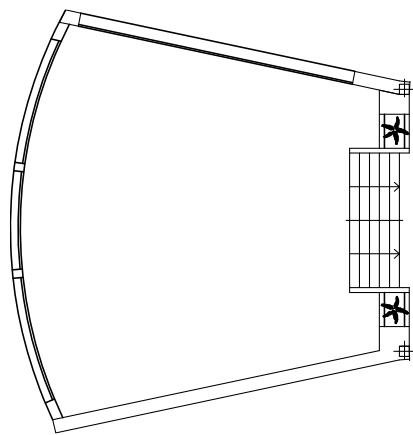
INDOOR SPACES

THE ONDINA OBSERVATION DECK

The Ondina observation deck has a floor area of 103.5m² with the capacity for 100 attendees in theatre format and 80 diners.

It has a hall and large windows with natural light.

103.5m²



SALONES
MEETING ROOMS



Panorámico
Ondina

Si

Hall

100

60

56

36

40

80

80

THE TROPICAL ROOM



THE BLUE MARLIN RESTAURANT



THE MONTEMAR ROOM

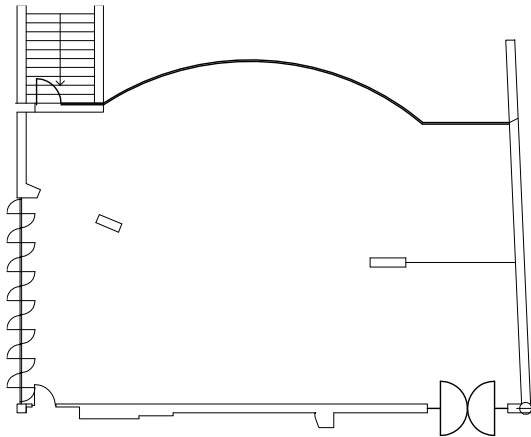
INDOOR SPACES

THE TROPICAL ROOM

The Tropical room has a floor area of 171.15m² with capacity for 120 attendees in theatre format and 100 diners.

It has a hall and large windows with natural light.

171.15m²



SALONES
MEETING ROOMS



Tropical

Si

Hall

120

80

70

36

36

100

150

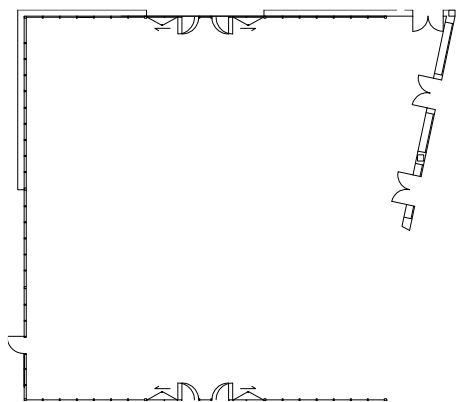
INDOOR SPACES

THE MONTEMAR ROOM

The Montemar room has a floor area of 334.49m² with capacity for 300 attendees in theatre format and 250 diners.

With large windows and natural light.

334.49m²



SALONES
MEETING ROOMS



Montemar

Si

0

300

250

180

60

60

250

300

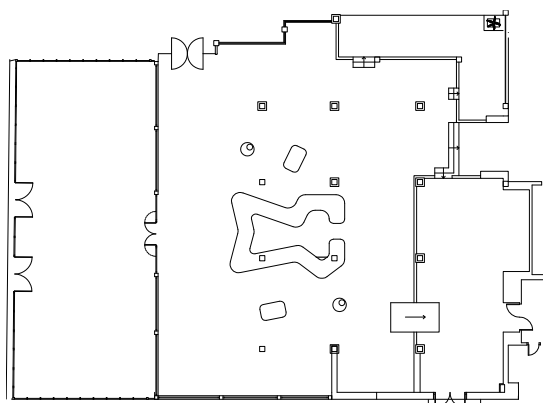
INDOOR SPACE

THE BLUE MARLIN RESTAURANT

The Blue Marlin restaurant has a floor area of 623.7m² with capacity for 300 diners in banquet format.

It has large windows with natural light.

623.7m²



SALONES
MEETING ROOMS



Restaurante Blue
Marlin

Si

0

-

-

-

-

-

-

-

300

-

FRANKIE'S

50'S BAR



PANORAMA ROOM

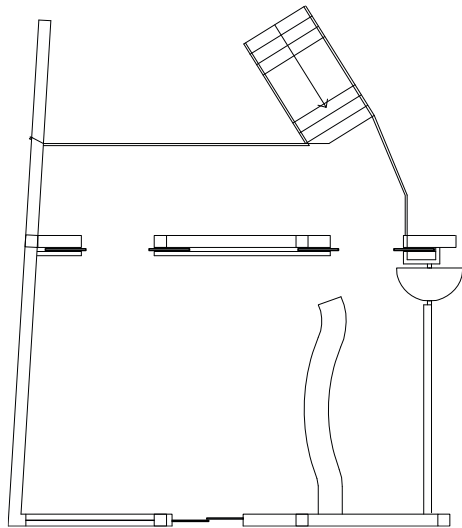
INDOOR SPACES

FRANKIE'S

Frankie's has a floor area of 39.65m² with capacity for 40 diners in cocktail format.

With large windows and natural light.

39.65m²



SALONES
MEETING ROOMS



Frankie's

Si

Hall

-

-

-

-

-

-

-

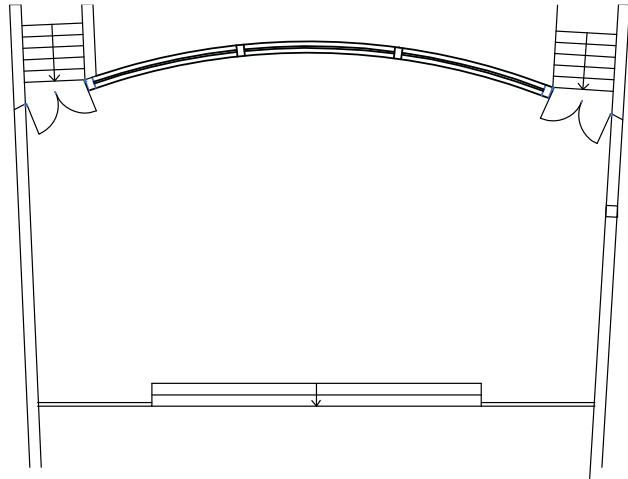
40

INDOOR SPACES

PANORAMA ROOM

The Panorama room has a floor area of 157.5m² with capacity for 100 diners in cocktail format.

157.5m²



SALONES
MEETING ROOMS



Panorama

Si

Hall

-

-

-

-

-

-

-

100



OUTDOOR SPACES

THE ONDINA TERRACE



THE CASCADE



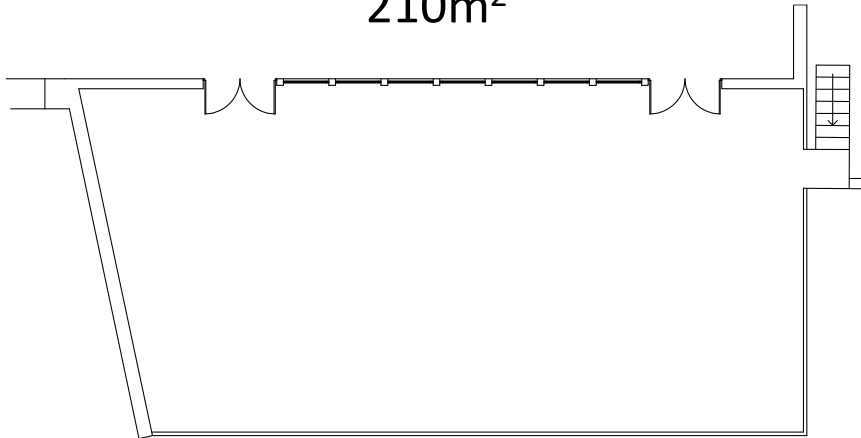
FRANKIE'S TERRACE'S

OUTDOOR SPACES

THE ONDINA TERRACE

The Ondina terrace has a floor area of 210m² with capacity for 120 people in theatre format and 200 diners in banquet format.

210m²



SALONES
MEETING ROOMS



Terraza Ondina

Si

Hall

120

.

.

.

.

.

200

210



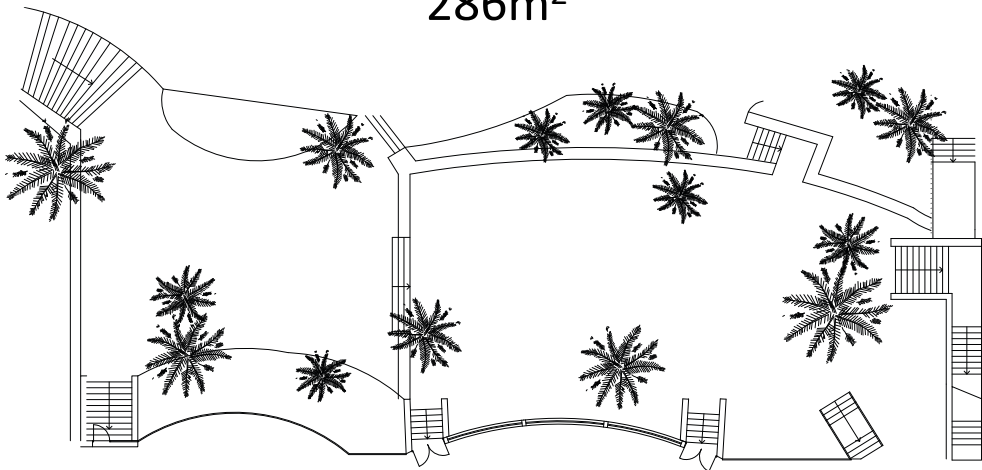
OUTDOOR SPACES

FRANKIE'S

TERRACE

Frankie's terrace has a floor area of 286m² with capacity for 300 diners in cocktail format.

286m²



SALONES
MEETING ROOMS



Terraza Frankie's

Si

Hall

-

-

-

-

-

-

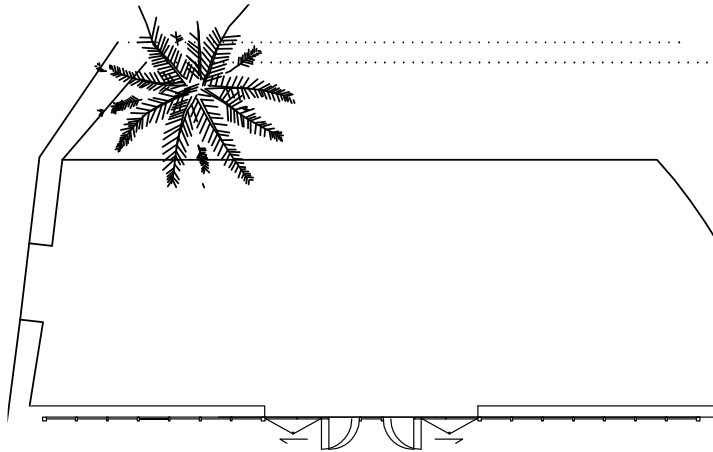
300

OUTDOOR SPACE

THE CASCADA

The Cascada has a floor area of 104m² with capacity for 86 diners in theatre format and 100 diners in cocktail format.

104m²



SALONES
MEETING ROOMS



Cascada

Si

0

86

.

.

.

.

.

100

104



SALONES
MEETING ROOMS



Tropical	Yes	Hall	120	80	70	36	36	100	150	171.15	16.3	10,5	2.65
Ondina	Yes	Hall	40	30	21	-	-	30	40	106.4	11.2	9.5	2.72
Ondina Observation Deck	Yes	Hall	100	60	56	36	40	80	80	103.5	11.5	9	3.25
Tropical + Ondina + Ondina Observation Deck	Yes	Hall	260	170	147	72	76	210	270	381.05	39	29	-
Ondina Terrace	Yes	Hall	120	-	-	-	-	-	200	210	20	10.5	-
Ondina Restaurant	Yes	Hall	-	-	-	-	-	100	200	210.9	22.2	9.5	2.72
Blue Marlin Restaurant	Yes	0	-	-	-	-	-	300	-	623.07	30.1	20.7	2.6
Montemar	Yes	0	300	250	180	60	60	250	300	334.49	18.48	18.1	3-4.14
Frankie's	Yes	Hall	-	-	-	-	-	-	40	39.65	6.5	6.1	3
Frankie's Terrace	Yes	Hall	-	-	-	-	-	-	300	286	26	11	-
Panorama	Yes	Hall	-	-	-	-	-	-	100	157.5	15	10.5	2.95
Cascada	Yes	0	86	-	-	-	-	-	100	104	16	6.5	-
50's Bar	Yes	0	-	-	-	-	-	50	100	192.95	22.7	8.5	2.43



Luz natural – Natural daylight



Planta – Floor



Teatro - Theatre



Escuela – Classroom



Cabaret – Cabaret



Imperial - Boardroom



U – U



Banquete – Banqueting



Cóctel -Cocktail



Área (m²) – Area (m²)



Largo (m) – Length (m)



Ancho (m) – Width (m)



Alto (m) – Height (m)

Contact

Alicia Reche

MICE Manager

E: mice.pezespada@medplaya.com

T: +952 380 300

M: +34689 050 482

